



# Drum Handling Solutions

***New Item Inside***

Page 9

Order from Dick Jones Sales, Inc.  
P.O. Box 141  
Hanover, PA 17331  
Phone 800-441-9955  
[dickjones@dickjonessales.com](mailto:dickjones@dickjonessales.com)

Fork Lift Attachments  
Skid Steer Attachments  
Portable Lifts  
Drum Positioners  
Drum Dumpers  
Drum Trucks  
Drum Dollies

# Table of Contents

## Fork Lift Attachments

Hydraulic.....	4
Skid Steer Attachment .....	6
Mechanical .....	7

## Portable Lifts

Power Drive .....	9
Manual Drive.....	13
Portable Lifts & Positioners.....	16

## Drum Dumpers

Low-Level .....	20
High-Level .....	21

## Hand Trucks & Accessories

Drum Trucks .....	22
Drum Dollies .....	23



# Lift Truck Attachments - Hydraulic

Valley Craft's lift truck attachments make handling of most\* steel, plastic and fiber drums safe, effective and extremely easy. *Note: Only self-powered models work on LP powered forklifts.*



Clamp, Rotate & Tilt

**Self-Powered Hydraulic Ultra-Grip III™** is the latest innovation in fork-mounted drum handling! The Ultra-Grip III, an industry exclusive to Valley Craft, provides three fully hydraulic proportionally controlled functions that are activated by an ergonomic hand-held pendant. A single set of fully hydraulic jaws automatically adjust to most drum diameters (18" - 28"). Rotating function offers full 360° rotation for inverting and pouring to both the right and left. Dumping function allows the operator to pour forward 120°. Features infinitely variable speed for optimum control of your load, system pressure gauge and battery discharge indicator with hour meter and clock. Equipped with built-in, 12-volt, battery-operated Power-Pak and self contained hydraulics. Wireless remote option available.

*Note: Batteries & Charger are included.*

Model	Description	Load Capacity	Distance Between Fork Tubes	Fork Tube Size (Usable)	Jaw Size	Product Weight
F89815A5	Ultra-Grip III	2,000 lbs	19 3/8"	2½ x 6½ x 37½"	9" x 15"	891 lbs
F89814A4	Wireless Remote	—	—	—	—	1 lb

*\*Caution should be used when clamping thin walled drums, open topped drums & smooth sided drums.*

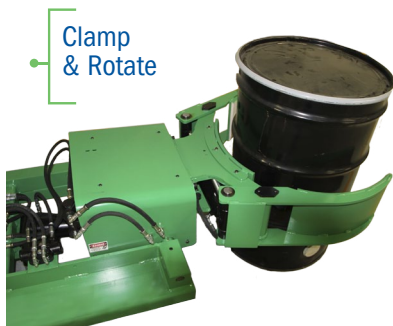


Clamp & Rotate

**Self-Powered Hydra Grip** An industry exclusive to Valley Craft, the self-powered clamp & rotate provides two fully hydraulic functions that are activated by an ergonomic hand-held pendant. A single jaw automatically adjusts to most drum diameters (18" - 28"). Rotating function offers full 360° rotation for inverting and pouring to both the right and left. Features system pressure gauge and battery discharge indicator with hour meter and clock. Equipped with built-in, 12-volt, battery-operated Power-Pack and self contained hydraulics.

*Note: Batteries & Charger are included.*

Model	Description	Load Capacity	Distance Between Fork Tubes	Fork Tube Size (Usable)	Jaw Size	Product Weight
F89703	Self Powered Hydra Grip	2,000 lbs	19 3/8"	2½ x 6½ x 37½"	9 x 15"	798 lbs



Clamp & Rotate

**Lift Truck Powered Hydra Grip** Provides two fully hydraulic functions that are activated by an ergonomic hand-held pendant. A single set of fully hydraulic jaws automatically adjust to most drum diameters (18" - 28"). Rotating function offers full 360° rotation for inverting and pouring to both the right and left. Unit requires lift truck equipped with auxiliary valve control and hydraulic quick couplers for operation.

*\*Note: The clamp/unclamp feature is accomplished via a rope pull activation of the selector valve.*

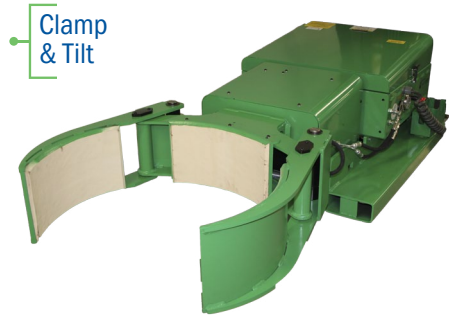
Model	Description	Load Capacity	Distance Between Fork Tubes	Fork Tube Size (Usable)	Jaw Size	Product Weight
F89702	Lift Truck Powered Hydra Grip	2,000 lbs	19 3/8"	2½ x 6½ x 37½"	9 x 15"	834 lbs



# Lift Truck Attachments - Hydraulic

**Self-Powered Hydraulic Versa-Grip II™** is Valley Craft's answer to drum placement and pouring. This unit features hydraulic gripping and 120° forward dumping capabilities for moving and pouring most steel and fiber drums (18"-28"). Equipped with built-in, 12-volt, battery-operated Power-Pak and self-contained hydraulics. Features system pressure and battery discharge gauges.

*Note: Batteries & Charger are included.*



Model	Description	Load Capacity	Distance Between Fork Tubes	Fork Tube Size (Usable)	Jaw Size	Product Weight
F89701	Self Powered Versa-Grip II	2,000 lbs	19 3/8"	2½ x 6½ x 37½"	9 x 15"	736 lbs

**Lift Truck-Powered Hydraulic Versa-Grip II™** features gripping and 120° forward dumping capabilities for moving and pouring steel and fiber drums (18"-28" diameter). Unit requires lift truck be equipped with auxiliary valve control and hydraulic quick couplers for operation.

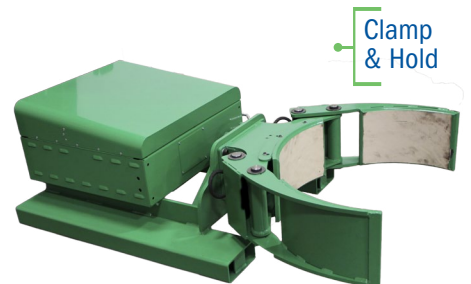
*\*Note: The clamp/unclamp feature is accomplished via a rope pull activation of the selector valve.*



Model	Description	Load Capacity	Distance Between Fork Tubes	Fork Tube Size (Usable)	Jaw Size	Product Weight
F89700	Lift Truck Powered Hydraulic Versa-Grip II	2,000 lbs	19 3/8"	2½ x 6½ x 37½"	9 x 15"	381 lbs

**Self-Powered Hydraulic Maxi-Grip II™** is a single-function grip designed to handle most plastic, steel & fiber containers (18"-28" diameter) and to increase efficiency of basic moving, stacking and palletizing actions. This unit has no dumping functions, but is optimal for fast and effective warehousing drum inventories. Equipped with built-in, 12-volt, battery-operated Power-Pak and self-contained hydraulics. Features system pressure and battery discharge gauges.

*Note: Batteries & Charger are included.*



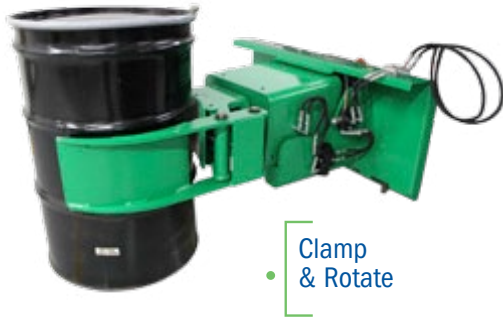
Model	Description	Load Capacity	Distance Between Fork Tubes	Fork Tube Size (Usable)	Jaw Size	Product Weight
F89705	Self Powered Hydraulic Maxi-Grip II	2,000 lbs	19 3/8"	2½ x 6½ x 37½"	9 x 15"	525 lbs

**Lift Truck-Powered Hydraulic Maxi-Grip II™** is a single-function grip designed to handle most plastic, steel & fiber containers (18"-28" diameter) and to increase efficiency of basic moving, stacking and palletizing actions. This unit has no dumping functions, but is optimal for fast and effective warehousing drum inventories. Unit is fork-mounted and requires that the lift truck be equipped with auxiliary valve control and hydraulic quick couplers for operation.



Model	Description	Load Capacity	Distance Between Fork Tubes	Fork Tube Size (Usable)	Jaw Size	Product Weight
F89704	Lift Truck Powered Maxi-Grip II	2,000 lbs	19 3/8"	2½ x 6½ x 37½"	9 x 15"	205 lbs

# Skid Steer Attachments - Hydraulic



**Skid Steer Drum Handler** allows operator to handle drums at reclamation areas, construction landfills and any other location where drums and loaders are necessary. The drum handler hydraulically clamps and dumps most drums (18"-28" diameter). Constant hydraulic pressure secures the load, making the unit excellent for salvage operations. Includes rubber-lined jaws, hoses, and standard ½" quick couplers and 360° rotation both directions.

*\*\*Note: The clamp/unclamp feature is accomplished by activating the selector valve (via a rope pull) on top of the frame.*

Model	Description	Load Capacity	Overall L x W	Container Diameter	Jaw Size	Product Weight
F89698	Skid Steer Drum Handler	2,000 lbs	45 x 52"	18 - 28"	9 x 15"	625 lbs



# Lift Truck Attachments - Mechanical

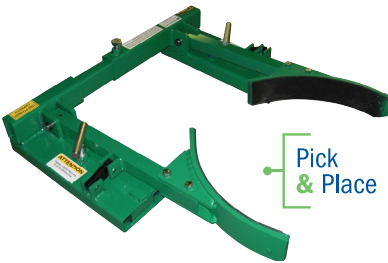


Lift & Dump

**Fork Lift Drum Rotator/Carrier** is allows you to now use your forklift as a drum handler. The fork lift drum rotator/carrier quickly raises, tilts and drains 55-gallon steel drums easily without leaving the fork lift. Unit attaches quickly to forks and drum pouring is controlled using a 10' pull-chain loop. Fork pockets are 7"W x 2<sup>1/2</sup>"H x 26<sup>5/8</sup>"D and spaced 24<sup>1/2</sup>" apart center to center (39" overall).

*Note: 500 lb tilting capacity with half-full drum.*

Model	Description	Load Capacity (lbs)	Overall L x W	Drum Type	Product Weight
F89689	Drum Rotator / Carrier	1,500	36" x 22"	steel	214 lbs



Pick & Place

**Gravity-Actuated Mechanical Auto-Grip™** and **Auto-Grip™DH** are most efficient on consistently sized loads. Auto-Grip™ jaws are spring-and-cam actuated and equipped with jaws that grip with cam pressure that is proportional to drum weight. Standard jaws adjust to fit 30-, 55- or 85-gallon steel or over-pack drums, or any cylindrical object 18"-28" in diameter. Auto Grip DH jaws grip under the top lip and adjust manually to grasp most plastic drums 22"-24" in diameter.

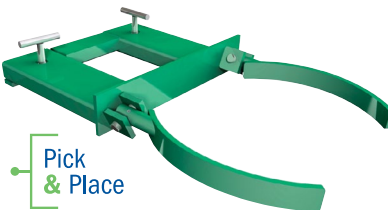
Model	Description	Load Capacity	Distance Between Forks	Fork Tube Size (Usable)	Jaw Size	Product Weight
F86145B0	Auto Grip	1,500 lbs	13 - 25"	1 1/2" x 5 1/2" x 16 3/4"	3 x 15"	103 lbs
F86165A5	Auto Grip dh	1,000 lbs	17 - 21"	1 1/2" x 5 1/2" x 16 3/4"	3 x 15"	103 lbs



Pick & Place

**Economy Auto Grip** is a gravity-actuated mechanical unit that handles consistently sized loads more efficiently than most hydraulic models. This unit is equipped with jaws that grip with cam pressure proportional to drum weight. Cam-actuated jaws automatically grip when engaging drum and release when placing it on the floor.

Model	Description	Load Capacity	Overall L x W	Distance Between Forks	Useable Fork Tube Size	Fits Drum Cap. Gal.	For Drum Type	Product Weight
F89743	Economy Auto Grip	1,500 lbs	36 x 24"	8"	5 3/8" W x 2" H	30 or 55 gal	Steel	95 lbs



Pick & Place

**Gravity-Actuated Drum Snatcher™** is economical and easy to use. Automatically grasps, then moves, stacks and palletizes standard 55-gal., steel-ringed drums, 23" - 24" in diameter, by utilizing unique knuckle-gripping system and natural pressure of the loaded drum. Designed for customers with limited drum handling needs. Fork-mounted.

Model	Description	Load Capacity	Distance Between Forks	Fork Tube Size (Usable)	Product Weight
F87398A2	Drum Snatcher	800 lbs	8"	1 1/2" x 5 1/2" x 16"	56 lbs

# Lift Truck Attachments - Mechanical

**Fork Lift Beak Attachment** This attachment is equipped with powerful beak-style jaws that automatically grip when engaging drum and release when lowering it. This product can manage most open or closed top drums having a chime or locking rings strong enough to support the weight of its own contents. Slides onto forks and secures via turn-down t-bolts. Handles most diameter rimmed drums 24" in height or higher



Model	Description	Load Capacity	Overall L x W	Drum Type	Product Weight
F85370A0	Fork Lift Beak Attachment	1,000 lbs	19" x 24"	Steel	125 lbs

**Fork Lift Strap Attachment** Straps conform to container to give maximum contact. Ratchet devices allow operator to apply exact tension force needed and reduces container damage. Allows user to pick up most any cylindrical object that is smooth-sided.



Model	Description	Load Capacity	Overall L x W	Container Diameter	Product Weight
F80147A7	Drum Strap Attachment	800 lbs	24 X 22"	14-24"	80 lbs



# Portable Lifts - Power Drive

## Telescopic Power Drive Roto-Grip™ II Drum Handler



**Telescopic Power Drive Roto-Grip™ II** Lifts, rotates, dumps and palletizes most steel, fiber, and plastic drums and cylinders (16"-28" in diameter) with hydraulic clamping jaws. This counter-weighted model is designed to butt directly up against pallets and containment skids.



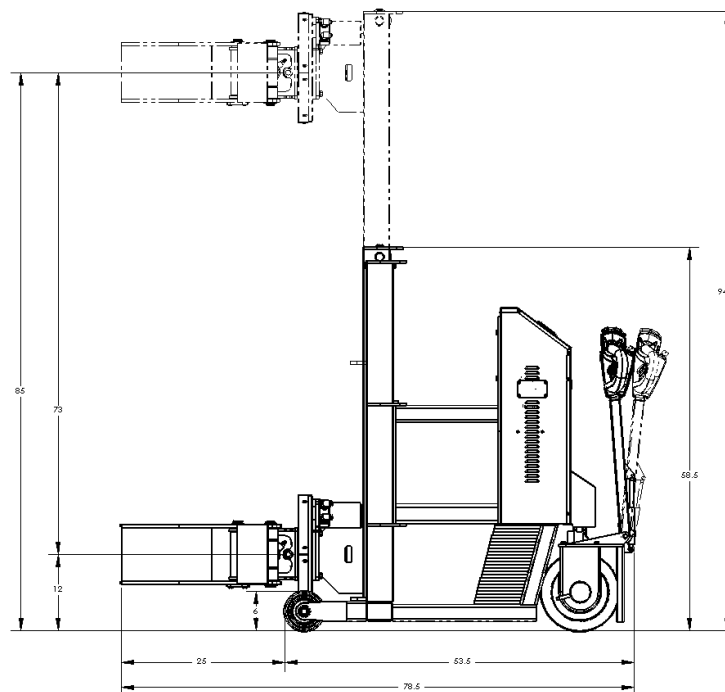
Transporting, lifting and dumping are safer and easier than ever before with the Telescopic Roto-Grip™ II Drum Handler. 12" power drive wheels plus full-function hydraulic lift allows operators to effortlessly move drums up to 1,000 lbs, while reducing injury rates from heavy handling by more than 50%. The telescoping mast allows for easy access in and out of standard doorways, and also provides better operator viewing while transporting loads. The Telescopic Roto-Grip™ II eliminates the need for fork lifts. Units feature fully adjustable and programmable controls with 1 - 2.5 mph speed controls, and can easily handle grades up to 5°. Comes with a keyed On/Off switch. Features variable drive speed (2 ½" mph factory set max), 24-volt DC system and battery indicator gauge.

*Note: Two Batteries & 12V AC charger included.*



Features Curtis TM-1 Tiller Head equipped with emergency reverse switch, electronic throttle, rocker switches, horn and gas spring to automatically return head to upright position when not in use.

Maximum lift height from center of jaws to floor: 84"



Model No.	Description	Dimensions H x W x D	Max Lift Travel	Turning Radius	Product Weight (lbs)
F89529	78"-90" C/W	34" x 79"	71"	71"	1,619



# Portable Lifts - Power Drive

## Power Drive Roto-Grip™ II

**Power Drive Roto-Grip™ II** Lifts, rotates, dumps and palletizes most steel, fiber, and plastic drums and cylinders (16"-28" in diameter) with hydraulic clamping jaws.

**Counter-Weighted** version designed to butt directly up against pallets and containment skids.

The Power Drive Roto-Grip™ II makes transporting, lifting and dumping safer and easier than ever before, all in one piece of equipment. 12" power drive wheels plus full-function hydraulic lift and pour means any operator can effortlessly move drums up to 1,000 lbs, while reducing injury rates from heavy handling by more than 50%. The Power Drive Roto-Grip™ II also eliminates the need for fork lifts. Units feature fully adjustable and programmable controls with 1 - 2.5 mph speed controls. Units easily handle grades up to 5°. Available in 78" or 90" heights with a keyed On/Off switch. Features variable drive speed (2 ½" mph factory set max), 24-volt DC system and battery indicator gauge.

*Note: Two Batteries & 12V AC charger included.*



Straddle Type Power Drive Roto-Grip™ II

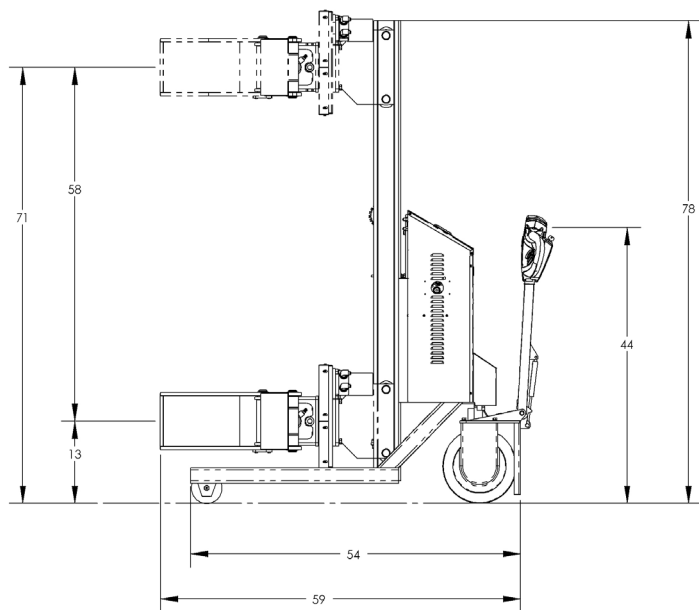


Features Curtis TM-1 Tiller Head equipped with emergency reverse switch, electronic throttle, rocker switches, horn and gas spring to automatically return head to upright position when not in use.

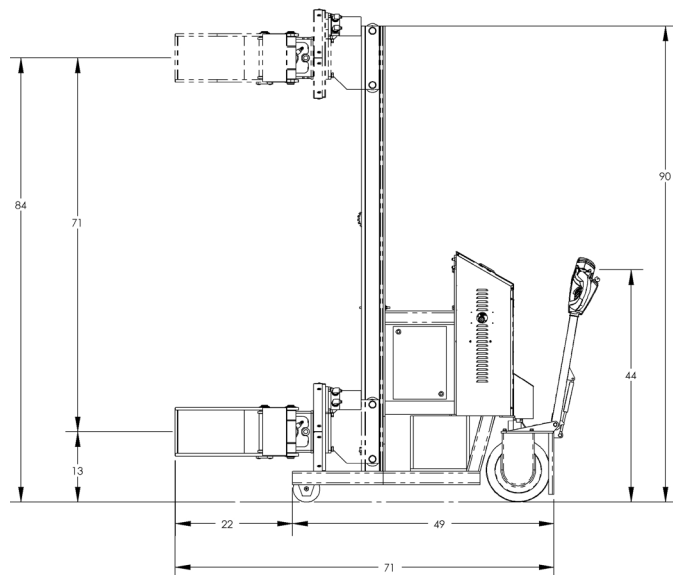
Maximum lift height from center of jaws to floor:

90" models - 84"

78" models - 71"



78" Straddle Power Drive Roto-Grip™ II  
Grip Range 16-24"



90" Counter-Weighted Power Drive Roto-Grip™ II  
Grip Range 16-28"

### Power Drive Roto-Grip™ -II

Model	Description	Max Lift Travel	Rotate Speed	Lift Speed	Turning Radius	Overall Width	Overall Length	Leg Length	Distance Between Legs	Product Weight
F80145A8	90" CW	71"	6 RPM	17 FPM	71"	32"	79"	8"	25"	1,200 lbs
F80146A9	78" CW	58"	6 RPM	17 FPM	71"	32"	79"	8"	25"	1,150 lbs
F80143A6	90" Straddle	71"	6 RPM	17 FPM	48"	32"	52"	23"	25"	750 lbs
F80144A7	78" Straddle	58"	6 RPM	17 FPM	48"	30"	52"	23"	25"	700 lbs



# Portable Lifts - Power Drive

## Power Drive Roto-Lift®



Straddle Type Power Drive Roto-Lift®

**Power Drive Roto-Lift®** Incorporates ratchet straps. Features include: lifts, rotates 360°, and dumps most steel, plastic and fiber cylinders (14"-24" in diameter).

**Counter-Weighted** version designed to butt directly up against pallets and containment skids.

With the Roto-Lift® transporting, lifting and dumping are safer and easier than ever before - all in one piece of equipment. 12" power drive wheels plus full-function hydraulic lift and pour mean any operator can effortlessly move drums up to 1,000 lbs. while reducing injury rates from heavy handling by more than 50% and eliminating the need for fork lifts. Units feature fully adjustable and programmable controls with 1 - 2.5 mph speed controls. Units easily handle grades up to 5°. Available in 78" or 90" heights with a keyed On/Off switch. Features variable-drive speed (2½" mph factory-set max), 24-volt DC system and battery indicator gauge.

*Note: Two Batteries and 12V AC charger included.*

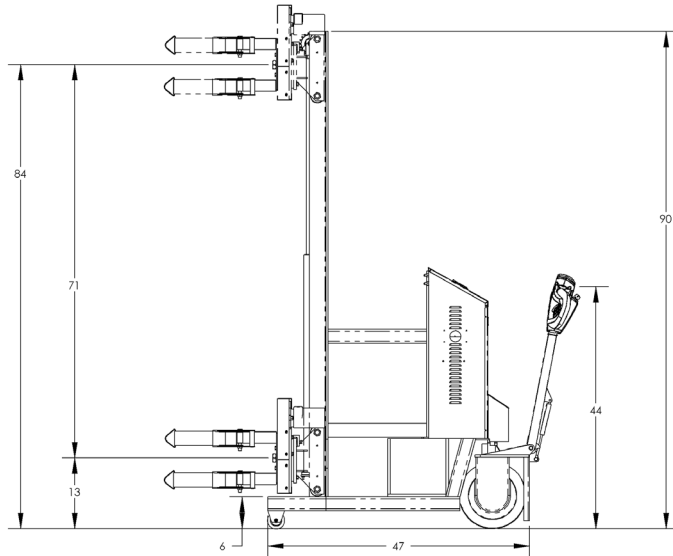


Features Curtis TM-1 Tiller Head equipped with emergency reverse switch, electronic throttle, rocker switches, horn and gas spring to automatically return head to upright position when not in use.

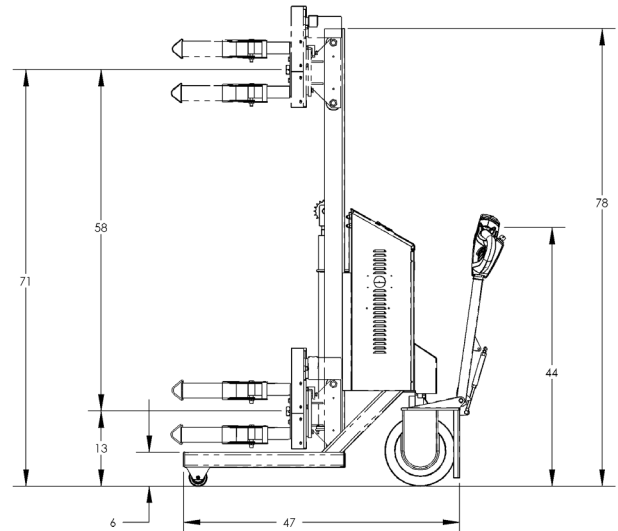
Maximum lift height from center of strap attachment to floor:

90" models - 84"

78" models - 71"



90" Counter-Weighted Power Drive Roto-Lift®



78" Straddle Power Drive Roto-Lift®

## Power Drive Roto-Lift®

Model	Description	Max Lift Travel	Rotate Speed	Lift Speed	Turning Radius	Overall Width	Overall Length	Leg Length	Distance Between Legs	Product Weight
F89831A4	90" CW	71"	6 RPM	17 FPM	71"	32"	79"	8"	25"	1,200 lbs
F89832A5	78" CW	58"	6 RPM	17 FPM	71"	32"	79"	8"	25"	1,150 lbs
F89837A1	90" Straddle	71"	6 RPM	17 FPM	48"	32"	52"	23"	25"	750 lbs
F89838A2	78" Straddle	58"	6 RMP	17 FPM	48"	30"	52"	23"	25"	700 lbs

# Portable Lifts - Power Drive

## Power Drive Versa-Lift™ Handler



**Power Drive Versa-Lift™ Drum Handler** is a multi-purpose positioner that rolls easily on (2) 3" rigid and (1) 12" swivel poly wheels. Efficiently performs medium-duty and "in between" handling tasks. 78" and 90" models available. Optional floor lock available. Models have a lift speed of 17 fpm.

Model No.	Description	Dimensions H x W x D	Max Lift Travel	Lift Speed	Turning Radius	Product Weight (lbs)
F80134A7	Versa-Lift™ 78" / SAE / POWERDRIVE	78" x 30" x 48"	58"	19 FPM	48"	700
F80133A6	Versa-Lift™ 90" / SAE / POWERDRIVE	90" x 30" x 48"	71"	20 FPM	48"	750
F80136A9	Versa-Lift™ 78" / SAE / POWERDRIVE C/W	78" x 32" x 48"	58"	17 FPM	71"	1,150
F80135A8	Versa-Lift™ 90" / SAE / POWERDRIVE C/W	90" x 32" x 48"	71"	18 FPM	71"	1,200

### Attachments

Model No.	Description	Load Capacity 12" from Backplate	Drum Diameter	Product Weight (lbs)
F86146A9	Drum Grip	800 lbs	18-23"	108
F88560A2	Drum Claw	800 lbs	18-28"	56
F88562A0	Drum Rotator	800 lbs	14-24"	122
F89406A8	Pallet Forks, 22"	800 lbs	-	43
F89408A6	Drum Stacking Forks	800 lbs	-	87
F89409A5	Drum Tilter	800 lbs	14-24"	66
F89418A4	Steel Platform**	800 lbs	-	24



**Drum Grip**  
is spring-and cam-actuated to automatically grip as pressure against drum forces jaws down. Adjusts to fit steel drum 18"-23".



**Drum Claw**  
is a beak-style grab that grasps the rim of virtually any kind of drum. Attaches without the use of straps.



**Drum Rotator**  
rotates 360° and handles fully-loaded drums up to 800 lbs. Includes nylon belts, ratchet tighteners and rubber-coated arms.



**Pallet Forks**  
move, elevate and stack pallets up to 24" deep. Useful as compact fork truck in congested areas and narrow aisles.



**Drum Forks**  
are 24" long and adapted to handle horizontally stacked drums for a fast, efficient way to lift drums in and out of stacking racks.



**Drum Tilter**  
is ideal for occasional one-sided drum pouring. Rotates 120°. Hand crank-operated tilter includes ratchets with nylon straps.



**Steel Platform**  
rests on Model #9406 to convert unit into a platform lift for work positioning and heavy items. Measures 24" x 24".



# Portable Lifts - Manual Drive

## Manually-Propelled Roto-Grip™

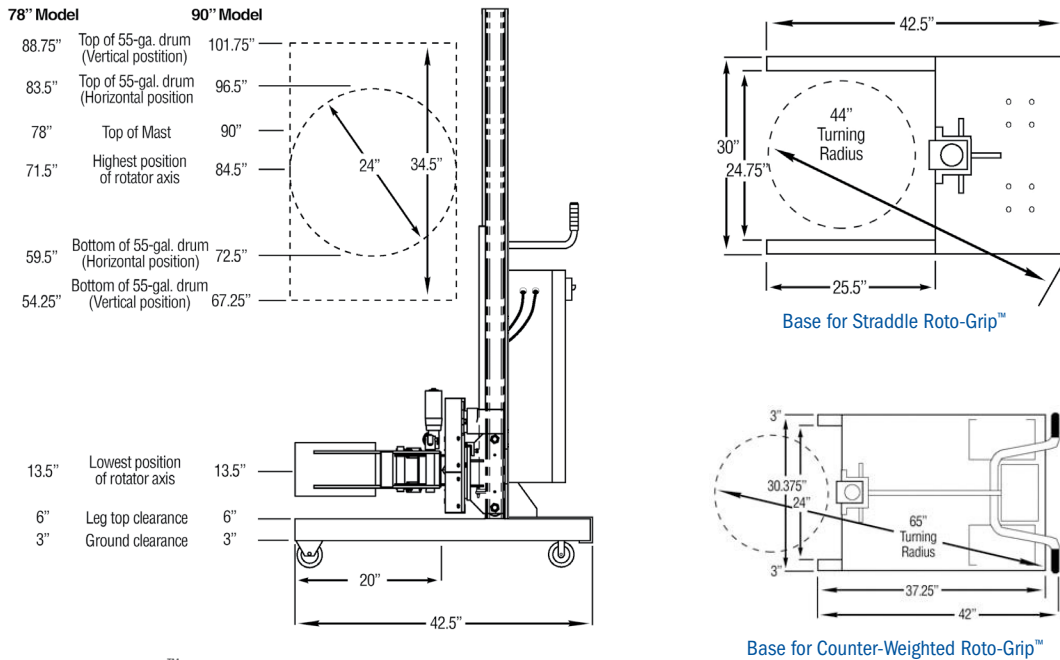


**Manually Propelled Roto-Grip™** lifts and rotates most steel drums and cylinders (18"-24" in diameter) with electric clamping jaws. Choose from 78"- or 90"- high models. All units are manually propelled and feature an electric-over-hydraulic control system. Electric screw jack clamps and releases the rubber-lined jaws while the hydraulic rotator turns drums 360°. Single mast design allows for high visibility. 800-lb. capacity. Optional floor lock available. Electric-over-hydraulic control system requires 12-volt deep cycle battery and plugs into a standard grounded outlet. For steel cylinders only.

*Note: Battery is included.*

**Counter-Weighted Roto-Grip™** is manually propelled and designed to butt directly up against pallets for effective loading and unloading. 800-lb. capacity. Please note that counterweighted models weigh twice as much as straddle-type and require more effort to move.

*Note: Battery & Charger are included.*



## Counter-Weighted Roto-Grip™

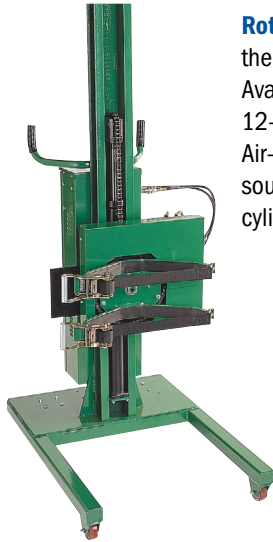
Model	Description	Max Lift Travel	Lift Speed	Turning Radius	Overall Width	Overall Length	Leg Length	Distance Between Legs	Product Weight
F88585C3	78" Battery	58"	17 FPM	44"	30"	42 ¼"	24 ¾"	25 ½"	513 lbs
F88586C2	90" Battery	71"	17 FPM	44"	30"	42 ¼"	24 ¾"	25 ½"	594 lbs

## Counter-Weighted Roto-Grip™

Model	Description	Max Lift Travel	Lift Speed	Turning Radius	Overall Width	Overall Length	Leg Length	Distance Between Legs	Product Weight
F88587C1	78" Battery	58"	17 FPM	61 ¼"	30"	37 ¼"	4"	NA	1,208 lbs
F88588C0	90" Battery	71"	17 FPM	61 ¼"	30"	37 ¼"	4"	NA	1,273 lbs
F89413A9	Floor Lock	—	—	—	—	—	—	—	4 lbs

# Portable Lifts - Manual Drive

## Manually-Propelled Roto-Lift®



**Roto-Lift®** rotating drum handler is a manually propelled, straddle-type unit that centers the load between the wheels for maximum balance and safety. Lifts and rotates 360°. Available as manual, battery, air or AC-powered handler. Battery-powered model requires 12-volt deep cycle battery and plugs into a standard grounded outlet (battery included). Air-powered models are ideal for spark-resistant applications and require outside air source. Optional floor lock available. 78" or 90"-high units handle steel, plastic and fiber cylinders (14"-24" in diameter). 800-lb. capacity.



**Counter-Weighted Roto-Lift®** is a manually propelled drum handler that butts up directly against pallets to make loading and unloading safe and effective. Comes with (34) 13.5-lb. counter-weights and requires more effort to move. 800-lb. capacity.

### Straddle Roto-Lift®

Model	Description	Max Lift Travel	Lift Speed	Turning Radius	Overall Width	Overall Length	Leg Length	Distance Between Legs	Product Weight
F88565C7	78" Battery	58"	17 FPM	44"	30"	42 ¼"	24 ¾"	25 ½"	550 lbs
F88566C6	90" Battery	71"	17 FPM	44"	30"	42 ¼"	24 ¾"	25 ½"	576 lbs
F88563B9	78" Manual	58"	5 FPM	44"	30"	42 ¼"	24 ¾"	25 ½"	457 lbs
F88564B8	90" Manual	71"	5 FPM	44"	30"	42 ¼"	24 ¾"	25 ½"	501 lbs
F88589B9	78" Air	58"	17 FPM	44"	30"	42 ½"	24 ¾"	25 ½"	488 lbs
F88590B6	90" Air	71"	17 FPM	44"	30"	42 ½"	24 ¾"	25 ½"	508 lbs
F87786B2	78" A/C	58"	17 FPM	44"	30"	42 ½"	30"	25 ½"	490 lbs
F87787B1	90" A/C	71"	17 FPM	44"	30"	42 ½"	30"	25 ½"	510 lbs
F89410A2	Floor Lock	—	—	—	—	—	—	—	4 lbs

### Counter-Weighted Roto-Lift®

Model	Description	Max Lift Travel	Lift Speed	Turning Radius	Overall Width	Overall Length	Leg Length	Distance Between Legs	Product Weight
F88569C3	78" Battery	58"	17 FPM	61 ¼"	30"	42 ½"	4"	24"	1,155 lbs
F88570C0	90" Battery	71"	17 FPM	61 ¼"	30"	42 ½"	4"	24"	1,101 lbs
F88580B8	78" Manual	58"	5 FPM	61 ¼"	30"	42 ½"	4"	24"	1,040 lbs
F88581B7	90" Manual	71"	5 FPM	61 ¼"	30"	42 ½"	4"	24"	1,047 lbs
F88591B5	78" Air	58"	17 FPM	61 ¼"	30"	42 ½"	4"	24"	1,010 lbs
F88592B4	90" Air	71"	17 FPM	61 ¼"	30"	42 ½"	4"	24"	1,040 lbs
F89413A9	Floor Lock	—	—	—	—	—	—	—	4 lbs



# Portable Lifts - Manual Drive



**Drum Grip**  
is spring-and cam-actuated to automatically grip as pressure against drum forces jaws down. Adjusts to fit steel drum 18-23" in diameter.



**Drum Claw**  
is a beak-style grab that grasps the rim of virtually any kind of drum. Attaches without the use of straps.



**Drum Rotator**  
rotates 360° and handles fully-loaded drums up to 800 lbs. Includes nylon belts, ratchet tighteners and rubber-coated arms.



**Pallet Forks**  
move, elevate and stack pallets up to 24" deep. Useful as compact fork truck in congested areas and narrow aisles.



**Drum Forks**  
are 24" long and adapted to handle horizontally stacked drums for a fast, efficient way to lift drums in and out of stacking racks.



**Drum Tilter**  
is ideal for occasional one-sided drum pouring. Rotates 120°. Hand crank-operated tilter includes ratchets with nylon straps.



**Steel Platform**  
rests on Model #9406 to convert unit into a platform lift for work positioning and heavy items. Measures 24" x 24".

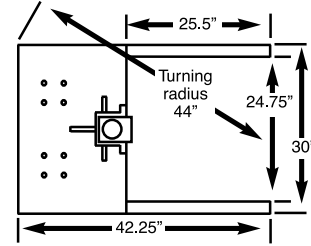


**Floor Lock**  
fits any model of Versa-Lift™, Roto-Lift™ or Roto-Grip™. Floor Lock Model #9413 available for counterweighted Roto-Lift™.



**Versa-Lift™** multi-purpose positioner is manually propelled with a single-post design to provide high visibility. Efficiently performs medium-duty and "in between" handling tasks. Power options include manual foot pump, air motor, 110-volt AC motor or 12-volt DC motor. 78" and 90" models available. Optional floor lock available.

*Battery and air-powered Models have a lift speed of 17 fpm. Manual-powered models have a lift speed of 5 fpm.*



Versa-Lift™

Model	Description	Max Lift Travel	Load Capacity	Product Weight
F88567B5	78" Manual	58"	800 lbs.	335 lbs.
F88568B4	90" Manual	71"	800 lbs.	357 lbs.
F87022B6	78" Air	58"	800 lbs.	335 lbs.
F87040B4	90" Air	71"	800 lbs.	380 lbs.
F87785B3	78" 110-volt AC	58"	800 lbs.	376 lbs.
F87803B1	90" 110-volt AC	71"	800 lbs.	392 lbs.
F88553C1	78" 12-volt DC	58"	800 lbs.	467 lbs.
F88561C1	90" 12-volt DC	71"	800 lbs.	489 lbs.

## Attachments

Model	Description	Drum Diameter	Load Capacity	Product Weight
F86146A9	Drum Grip	18-23"	800 lbs.	108 lbs.
F88560A2	Drum Claw	18-28"	800 lbs.	56 lbs.
F88562A0	Drum Rotator	14-24"	800 lbs.	122 lbs.
F89406A8	Pallet Forks, 22"	—	800 lbs.	43 lbs.
F89408A6	Drum Forks	—	800 lbs.	87 lbs.
F89409A5	Drum Tilter	14-24"	800 lbs.	66 lbs.
F89418A4	Steel Platform	—	800 lbs.	24 lbs.
F89410A2	Floor Lock	—	800 lbs.	4 lbs.

# Portable Lifts

The **Level Lift Forward Dump** is available in two heights and four hydraulic power options: manual, AC electric-powered, DC battery-powered, and optional air (available upon request). The only forward dumping drum handler in the industry with a hand crank dump and no messy chains. Dumpers also incorporate a unique auto-drum leveling feature as drum is raised or lowered. Manual hydraulic, AC electric and Battery-Powered units have manual dump control with full 360° forward or reverse rotation, allowing operators to pour drum contents in a precise manner. Easy-to-load bonded rubber cradles handle 800-lb. fully loaded or 500-lb. half-full drums.

*Note: Additional product features include heavy-duty welded frames, step-down floor locks, and 8" polyolefin wheels and 4" swivel casters. Maximum lift height is measured from floor to lowest point of a horizontal 55-gallon drum*



Optional adapter is available to quickly convert the standard cradle from a 23" to 18" diameter to handle 30-gallon drums.

Item #F89769A7



## Manual Hydraulic Forward Dump

Model	Description	Load Capacity	Max Lift Height	Frame L x W	Tilt Control	Straddle Legs Inside Width	Straddle Legs Outside Width
F89806A4	Manual Forward Dump	800 lbs	72"	68"x 59"	Manual	30"	41"
F89762	Manual Forward Dump	800 lbs	96"	84" x 59"	Manual	32"	44"

## Electric-Powered Forward Dump

Model	Description	Load Capacity	Max Lift Height	Frame L x W	Tilt Control	Straddle Legs Inside Width	Straddle Legs Outside Width
F89748	120V Power Forward Dump	800 lbs	72"	68"x 59"	Manual	30"	41"
F89747	120V Power Forward Dump	800 lbs	96"	84"x 59"	Manual	32"	44"

## Battery-Powered Forward Dump

The only forward dump in the industry with a 110-volt on-board battery charger. Also equipped with 12-volt deep-cycle battery.

Model	Description	Load Capacity	Max Lift Height	Frame L x W	Tilt Control	Straddle Legs Inside Width	Straddle Legs Outside Width
F89759	12V Power Forward Dump	800 lbs	72"	68" x 59"	Manual	30"	41"
F89758	12V Power Forward Dump	800 lbs	96"	84" x 59"	Manual	32"	44"

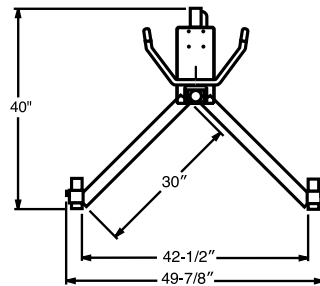


# Positioners

Safely and easily unload pallets and containment skids with our Barrel Hawk™ series of portable drum handlers. Each unit designed with a smaller footprint to effectively maneuver through congested work areas.



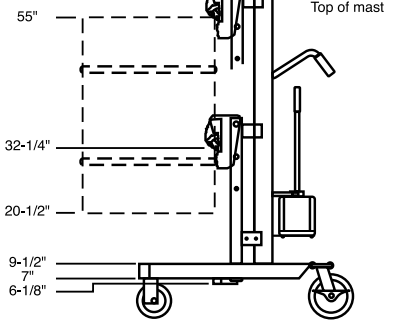
**Barrel Hawk™ Raptor** is ergonomically designed to reduce the risk of injury and allow a single operator to safely handle virtually any kind of drum up to 800 lbs. Employs drum claw-type grab to attach to rim of 30-, 55- and 85-gal. over-pack drums. Glides over standard pallets and picks from containment skids with ease. Hydraulic pump lifts typical 55-gal. drum 20½" off floor. Rolls on 6 x 2" phenolic wheels in front. Rear swivel caster is 8" and is equipped with a brake for added safety. Single mast design for high visibility.



### 30 Gal.

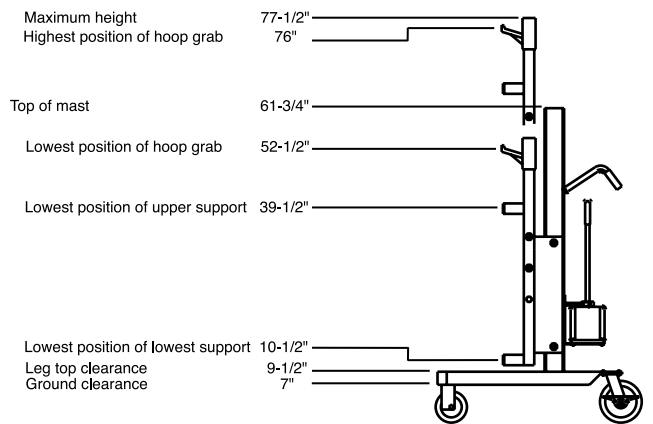
- 49" Highest position of jaws
- 26-1/4" Lowest height of jaws
- 21-3/4" Height to bottom of drum (max.) (Standard steel drum)
- 9-1/2" Leg top clearance
- 7" Ground clearance
- 6-1/8" Lowest position of drum support

### 55 Gal.



**Barrel Hawk™ Harrier** quickly and safely secures and transports gas and cryogenic cylinders with ease. The small footprint is ideal for negotiating narrow aisles and doorways. Ergonomically designed to reduce the chance of muscle injury. Back caster equipped with brake for added safety. Unit equipped with adjustable cylinder claw and two ratchet belt tighteners to handle a variety of cylinder types and sizes 9"-18" in diameter. Hydraulic pump raises cylinders 20 1/2" from floor. 800-lb. cap.

*For safety reasons, load should be only 1" from floor during transport.*



**Barrel Hawk™ Raptor DH** is available as an attachment to the Raptor or as its own unit. The unit is equipped with dual ratchet assemblies and 2" nylon straps. It is designed to handle most steel, plastic and other soft-sided drums. Glides over standard pallets and picks from containment skids with ease. Same ergonomic design as a standard Raptor. Rear swivel caster is equipped with a brake for added safety. Single mast design for high visibility and small footprint for excellent maneuverability. Hand operated hydraulic pump lifts typical 55-gal. drums, up to 800lbs, 20½" off floor.

Model	Description	Container Diameter	Load Capacity	Product Weight
F88575C5	Raptor	30-85 gal.	800 lbs	262 lbs
F88576B4	Harrier	9 - 18" cylinders	800 lbs	265 lbs
F88577B3	Raptor DH	9 - 24" cylinders	800 lbs	288 lbs
F64657A7	Strap Attachment	14 - 24" cylinders	800 lbs	31 lbs



Strap Attachment F64657A7



# Positioners - Multi-Purpose

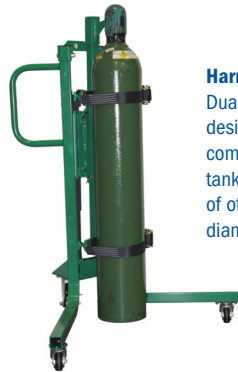


Base Unit

**The Falcon Portable Lift** is an economic, multi-purpose material handler suitable for a variety of pick-and-place applications. It is manually-propelled with a single mast design that offers high visibility and a 800 lb. capacity. This lightweight unit weighs only 95 lbs and its toolless, quick release back plate allows users to quickly change attachments to perform a variety of tasks. Lifting is performed with a side-wind jack and start positions can be achieved quickly by moving the jack's pin location.

## Base

Model	Description	Overall Size (LxWxH)	Load Capacity	Max Lift Travel	Wheels	Weight
F89744	Falcon Base	32.4" x 46" x 54.8"	800 lbs	15"	8" Phenolic 3" Nylon	95 lbs



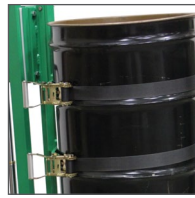
**Harrier Attachment (F89739)**  
Dual ratchet strap attachment designed specifically for compressed gas and cryogenic tanks. Also works well on a variety of other tall containers (9-18" in diameter).



**Oxy-Acetylene Torch Attachment (F89737)**  
Features OSHA compliant fire barrier for 24hr storage without separating tanks. Comes standard with tool box for tips and hose hangers. Safely move tanks without requiring the operator to balance the load.



**Platform Attachment (F89735)** Attachment is bolt together and can be configured for your specific application. It can be used as an adjustable height bench or flipped over and used as a parts tray.



**Strap Attachment (F89738)**  
Dual ratchet strap assemblies allow this attachment to lift a variety of containers up to 24" in diameter.



**Beak Attachment (F89740)**  
Gravity actuated beak grips and lifts from the rim of your container. Works well on a variety of containers where the rim is strong enough to support the weight.



**Hook Attachment (F89736)**  
Hooks are adjustable to fit a large range of rib topped containers. Gravity keeps the hooks engaged and allows containers to quickly be moved from one location to another.

## Attachments

Model	Description	Drum Type	Drum/Cylinder Diameter	Weight
F89735	Platform Attachment Q-Release	—	—	55 lbs
F89736	Hook Attachment Q-Release	Steel, Plastic	18"- 24"	62 lbs
F89737	Torch Attachment Q-Release	—	—	145 lbs
F89738	Strap Attachment Q-Release	Steel, Fiber, Plastic	14"- 24"	45 lbs
F89739	Harrier Attachment Q-Release	Cylinder	9"- 18"	44 lbs
F89740	Beak Attachment Q-Release	Steel	18"- 24"	25 lbs





Base unit with Beak attachment  
F89741 & F89740

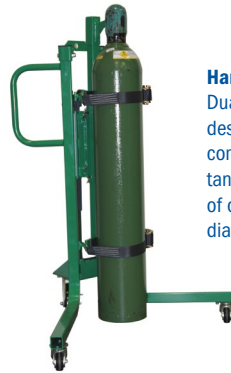
**The Barrel Hawk II** portable lift features 18" of lift height and 800 lbs. of lifting capacity. Equipped with adjustable legs and a hand-operated pallet-jack style hydraulic lift, the Barrel Hawk II is extremely versatile and maneuverable. Universal Quick release back-plate allows the unit to work with various size containers and perform many other pick-and-place tasks.

## Base

Model	Description	Overall Size (LxWxH)	Max Lift Travel	Wheels	Capacity lbs	Weight
F89741	Barrel Hawk II Base	40" x 50" x 64"	18"	6" Poly on Cast (rear) 6" Rubber (front)	800	230



Telescoping legs can be adjusted for transportation through doorways or narrow aisles as load center permits.



**Harrier Attachment (F89739)**  
Dual ratchet strap attachment designed specifically for compressed gas and cryogenic tanks. Also works well on a variety of other tall containers (9"-18" in diameter).



Base unit with Torch attachment  
F89741 & F89737



**Platform Attachment (F89735)** Attachment is bolt together and can be configured for your specific application. It can be used as an adjustable height bench or flipped over and used as a parts tray.



**Strap Attachment (F89738)**  
Dual ratchet strap assemblies allow this attachment to lift a variety of containers up to 24" in diameter.



**Beak Attachment (F89740)**  
Gravity actuated beak grips and lifts from the rim of your container. Works well on a variety of containers where the rim is strong enough to support the weight.



**Hook Attachment (F89736)**  
Hooks are adjustable to fit a large range of rib topped containers. Gravity keeps the hooks engaged and allows containers to quickly be moved from one location to another.

## Attachments

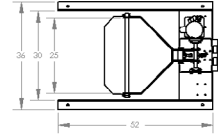
Model	Description	Drum Type	Drum/Cylinder Diameter	Weight
F89735	Platform Attachment Q-Release	—	—	55
F89736	Hook Attachment Q-Release	Steel, Plastic	18"- 24"	62
F89737	Torch Attachment Q-Release	—	—	145
F89738	Strap Attachment Q-Release	Steel, Fiber, Plastic	14"- 24"	45
F89739	Harrier Attachment Q-Release	Cylinder	9"- 18"	44
F89740	Beak Attachment Q-Release	Steel	18"- 24"	25



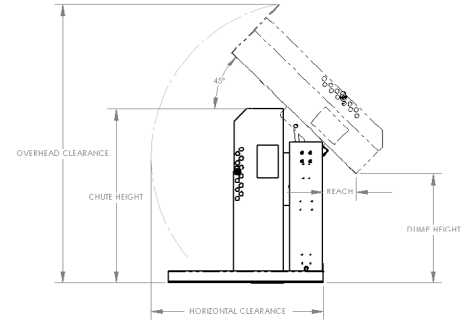
# Drum Dumpers



Our economical, adaptable Drum Dumpers are available in 1,000-lb. and 1,500-lb capacities with dump heights ranging from 36" to 120" at a 45 degree dump angle. With user safety our number one priority, features include a NEMA12 power up/gravity down power unit with adjustable flow control to safely lower chute to it's down position. The 1/60/110V power unit is equipped with a 1HP motor and a 1GPM pump. Our Drum Dumpers also have an adjustable hold down bar to accommodate various drum heights up to 43" and are constructed of heavy-gauge carbon steel with an enamel finish.



*Note: For requirements not covered by standard specifications or for custom applications, please call for additional information.*



## Single-Stage Low-Level Dumpers

Dump heights from 36" to 60" with a 45° maximum dumping angle.

Stationary - 1,000 lbs capacity

Model	Dump Height	Chute Height	Chute Reach	Frame W x L	Horizontal Clearance	Overhead Clearance	Product Weight
F80169A9	36"	58"	11"	36 x 52"	60"	96"	363 lbs
F80167A7	48"	65"	9"	36 x 52"	68"	112"	404 lbs
F80165A5	60"	72"	7"	36 x 52"	77"	129"	446 lbs

Stationary - 1,500 lbs capacity

Model	Dump Height	Chute Height	Chute Reach	Frame W x L	Horizontal Clearance	Overhead Clearance	Product Weight
F80163A3	36"	58"	11"	36" x 52"	60"	96"	660 lbs
F80161A1	48"	65"	9"	36" x 52"	68"	112"	690 lbs
F80159A9	60"	72"	7"	36" x 52"	77"	129"	720 lbs

Portable - 1,000 lbs capacity

Model	Dump Height	Chute Height	Chute Reach	Frame W x L	Horizontal Clearance	Overhead Clearance	Product Weight
F80168A8	36"	58"	11"	36 x 52"	60"	96"	413 lbs
F80166A6	48"	65"	9"	36 x 52"	68"	112"	510 lbs
F80164A4	60"	72"	7"	36 x 52"	77"	129"	496 lbs

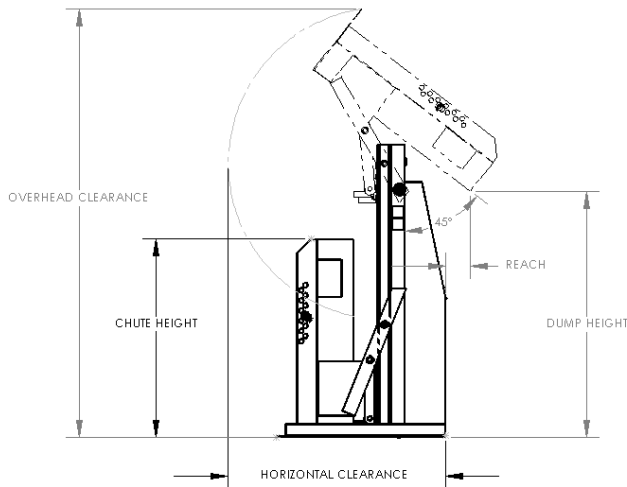
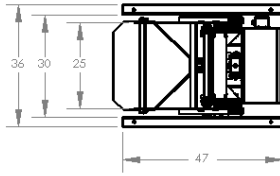
Portable - 1,500 lbs capacity

Model	Dump Height	Chute Height	Chute Reach	Frame W x L	Horizontal Clearance	Overhead Clearance	Product Weight
F80162A2	36"	58"	11"	36" x 52"	60"	96"	510 lbs
F80160A0	48"	65"	9"	36" x 52"	68"	112"	530 lbs
F80158A8	60"	72"	7"	36" x 52"	77"	129"	563 lbs



## Dual-Stage High-Level Dumpers

**1,500 lbs capacity** Chute rises vertically until arms meet pivot rollers, causing chute to rotate. Dump heights from 72" to 120" with a 45° maximum dumping angle.



Custom dumper shown with roller base

### Stationary

Model	Dump Height	Chute Height	Chute Reach	Frame W x L	Horizontal Clearance	Overhead Clearance	Product Weight
F80157A7	72"	58"	6"	36" x 47"	66"	130"	1,125 lbs
F80155A5	84"	58"	6"	36" x 47"	66"	140"	1,160 lbs
F80153A3	96"	58"	6"	36" x 47"	66"	152"	1,200 lbs
F80151A1	108"	58"	6"	36" x 47"	66"	164"	1,235 lbs
F80149A9	120"	58"	6"	36" x 47"	66"	176"	1,475 lbs

### Portable

Model	Dump Height	Chute Height	Chute Reach	Frame W x L	Horizontal Clearance	Overhead Clearance	Product Weight
F80156A6	72"	58"	6"	36" x 51"	66"	130"	1,125 lbs
F80154A5	84"	58"	6"	36" x 51"	66"	140"	2,260 lbs
F80152A2	96"	58"	6"	36" x 51"	66"	152"	2,300 lbs
F80150A0	108"	58"	6"	36" x 51"	66"	164"	1,235 lbs
F80148A8	120"	58"	6"	36" x 51"	66"	176"	1,275 lbs

# Drum Trucks

Valley Craft's line of drum handling trucks and dollies are the answer to safe and effective manual transport and handling of drum inventories, and are available in a variety of styles to accommodate virtually any need.



**2-Wheel EZY-Rol™ Automatic Drum Trucks** feature Valley Craft's exclusive EZY-Tilt® design and spring-loaded chime hook so the operator never has to touch the drum. Choice of steel or aluminum. Shoes adjust to handle 30- and 55-gal. drums up to 1,000 lbs. Available with optional hand brakes for added safety. Replaceable wheels, shoes and axles available. Five chime hooks and three wheel options available.

## 2-Wheel Steel, Standard Chime

Model	Description	Product Weight
F81600A9	Pneumatic	67 lbs
F82025A4	Pneum. w/brake	78 lbs
F81735A7	Solid	70 lbs
F82150A1	Solid w/brake	78 lbs
F81895A3	Mold-On	66 lbs

## 4-Wheel Steel, Standard Chime

Model	Description	Product Weight
F82375A0	Pneumatic	45 lbs
F83160A7	Pneum. w/brake	50 lbs
F82895A1	Solid	50 lbs
F83450A6	Solid w/brake	55 lbs
F82845A2	Mold-On	55 lbs



**4-Wheel EZY-Rol™ Automatic Drum Trucks** are available in steel or spark resistant aluminum and feature Valley Craft's exclusive EZY-Tilt® design and spring-loaded chime hooks. Operator never has to touch the drum. Trucks handle 30- and 55-gal. drums up to 1,000 lbs. Available with optional hand brakes. Models feature replaceable wheels, shoes and axles. Five chime hooks and three wheel options available.

## 2-Wheel Aluminum, Standard Chime

Model	Description	Product Weight
F81500A0	Pneumatic	45 lbs
F81925A7	Pneum. w/brake	50 lbs
F81625A0	Solid	50 lbs
F82050A2	Solid w/brake	55 lbs
F81770A3	Mold-On	55 lbs

## 4-Wheel Aluminum, Standard Chime

Model	Description	Product Weight
F82175A2	Pneumatic	49 lbs
F82960A1	Pneum. w/brake	54 lbs
F82425A0	Solid	48 lbs
F83210A7	Solid w/brake	52 lbs
F82645A4	Mold-On	50 lbs



**Standard Chime Hook**  
Automatically engages drum. Comes standard on automatic drum trucks.



**Plastic Drum Chime Hook**  
Hook Drops over bung hole projection on standard drums. May be used on aluminum truck.



**Cable Hoop Chime Hook**  
Hook Cable on standard chime hook wraps around drums without a chime.



**Fiber Drum Chime Hook**  
Reaches an extra inch to hook rim of fiber drums. Also handles standard drums.



**Locking Cover Chime Hook**  
Handles drums with Locking cover. May be used on aluminum truck and handles standard drums.

All drum trucks feature standard chime hook. Special chime hooks available for an additional charge.

**NOTE** When ordering optional chime hooks, add the following letters to the drum truck model number:

- P: Plastic Drum Chime Hook
- L: Locking Cover Chime Hook
- F: Fiber Drum Chime Hook
- C: Cable Hoop Chime Hook

Our exclusive, automatic, spring-loaded chime hooks are an essential part of Valley Craft's EZY-Tilt® design. Loading and unloading is as easy as 1, 2, 3 and the operator never has to touch the drum.



1. Place shoes securely against base of drum.



2. Tip frame against drum to engage hook.



3. Break over load and rest on all four wheels.



# Drum Dollies

**Drip Catching Drum Dolly** is specially designed to be used with an absorbent sock for soaking up liquids from dispensing drums. Oversized dolly helps keep drips in the pan and area around the drum clean. Also eases handling of over-pack drums.

*Absorbent sock included with model 9713 only.*



Handles drums up to 28" in diameter.

Model	Description	Load Capacity	Product Weight
F89709A2	Dolly without absorbent collar	1000 lbs	30 lbs
F89713A6	Dolly with absorbent collar	1000 lbs	32 lbs